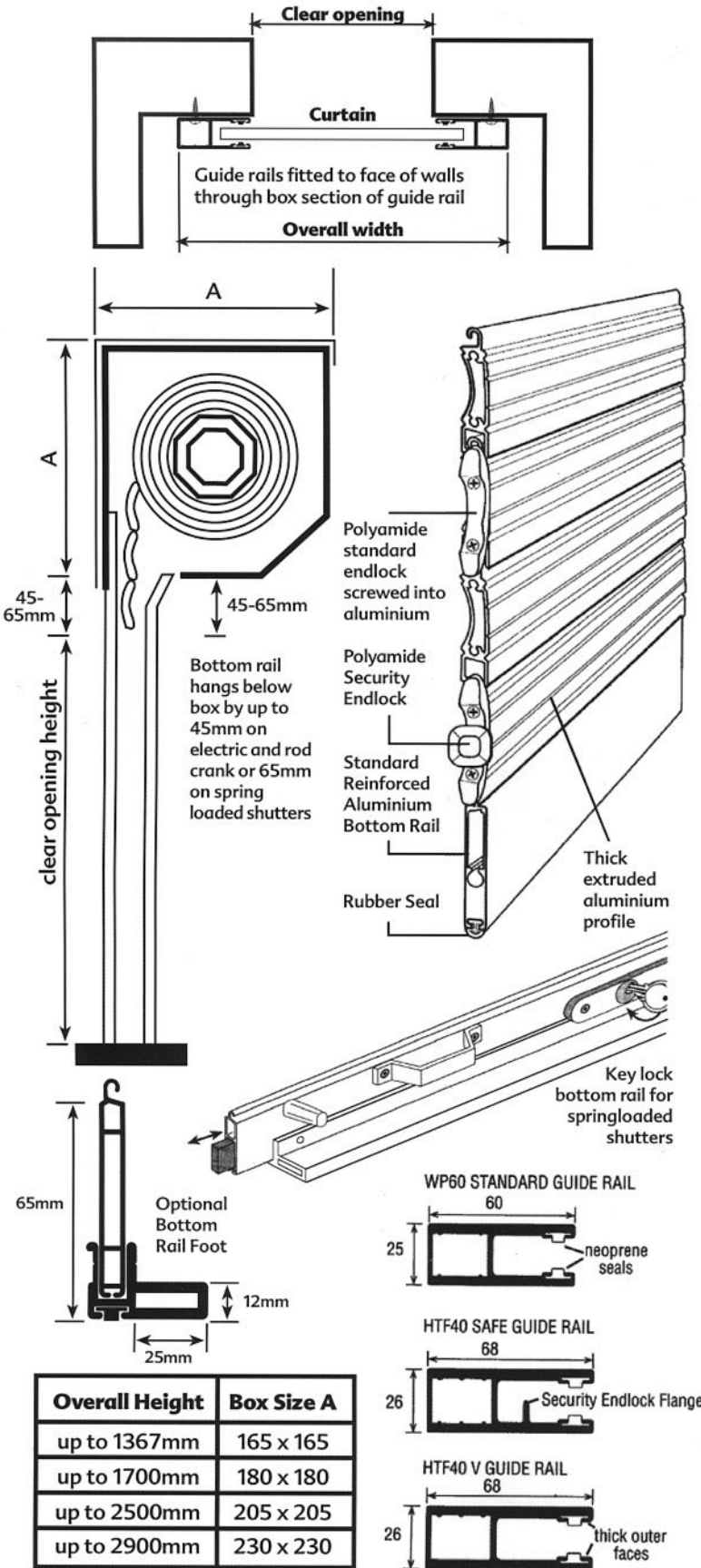


DETAILED DIAGRAM

Due to Warm Protection products policy of continuous product development and improvement we reserve the right to make changes without prior notification.



Curtain 36mm x 9.5mm weight 11 kg/m² recommended usable size 3200mm x 3000mm. Constructed from double skinned extruded aluminium alloy 6036-T6, produced to BS1474 with special shaping and sections for high security. Curtains are available unvented only. Each alternate profile is secured by a polyamide endlock, which is self-tapped into special sections within the extruded profile using special double threaded screws. As an optional extra, an anti-vandal security endlock system can be installed in conjunction with the HTF40 Safe high security guide rail.

A double skinned extruded bottom rail complete with solid base and rubber seal is fitted to the base of the shutter as standard. Curtain colours available are white, brown and cream only. Bottom rail colours available are white or dark brown with other colours available at a surcharge. As an optional extra a bottom rail foot is available for maximum security complete with base seal.

Box - Constructed from roll formed pre-stove enamelled aluminium sheet, which is roll formed incorporating special folds to ensure rigidity and strength. Each box comes complete with a tough protective film for removal on completion. Standard box colours are white or dark brown. Other colours are available to suit any standard RAL/BS colour within our range at a surcharge.

Brackets (Box Ends) GK5E System - Constructed from die cast aluminium, high pressure moulded and stove enamelled in standard stock colours, white or dark brown. Other colours are available to suit any standard RAL/BS colour within our range at a surcharge.

Standard Guide Rail WP60 60 x 25 x 3 - Constructed from extruded aluminium alloy 6063-T6. Produced to BS1474 incorporating neoprene seals to ensure no metal to metal contact and to ensure smooth and quiet operation.

Please note: This guide rail cannot be fitted with the anti-vandal endlock system. Guide rail colours available are white or dark brown, with other RAL/BS colours available at a surcharge.

Security Guide Rails HTF40 Safe 68 x 26 x 4 - Constructed from extruded aluminium alloy 6063-T6. Produced to BS1474 incorporating anti-burglary flanges (to be used in conjunction with the anti-vandal endlocks) for high security. Guide rails are also fitted with neoprene seals to ensure no metal to metal contact and to ensure smooth and quiet operation. This guide can only be used for face fixed situations, and is available at a surcharge.

Optional Guide Rail HTF40V 68 x 26 x 4 - This is the same as the HTF40 Safe Guide Rail but does not have the anti burglary flanges. It is used for between wall fixing for additional security and it can only be used with the standard endlock system.

Operation - By internal manual rod crank winding handle with autolock facility which locks the shutter automatically when fully lowered. Operational lifting weight 33kg. Or by spring loaded roller assembly with transverse bottom rail lock up to 45kg. Or powered by Somfy tubular motors with automatic limit switches and thermal overload fitted as standard. Switching can be by individual internal rocker switches, key switches, remote control or by group command modules. Please contact our technical department for details.



Warm Protection®

PRODUCTS LIMITED

Unit 5, Throckley Way, Middlefields Industrial Est.
 South Shields, Tyne & Wear, NE34 0NU
 Tel: 0191 455 9707 Fax: 0191 427 6855
 admin@warmprotection.com
 www.warmprotection.com